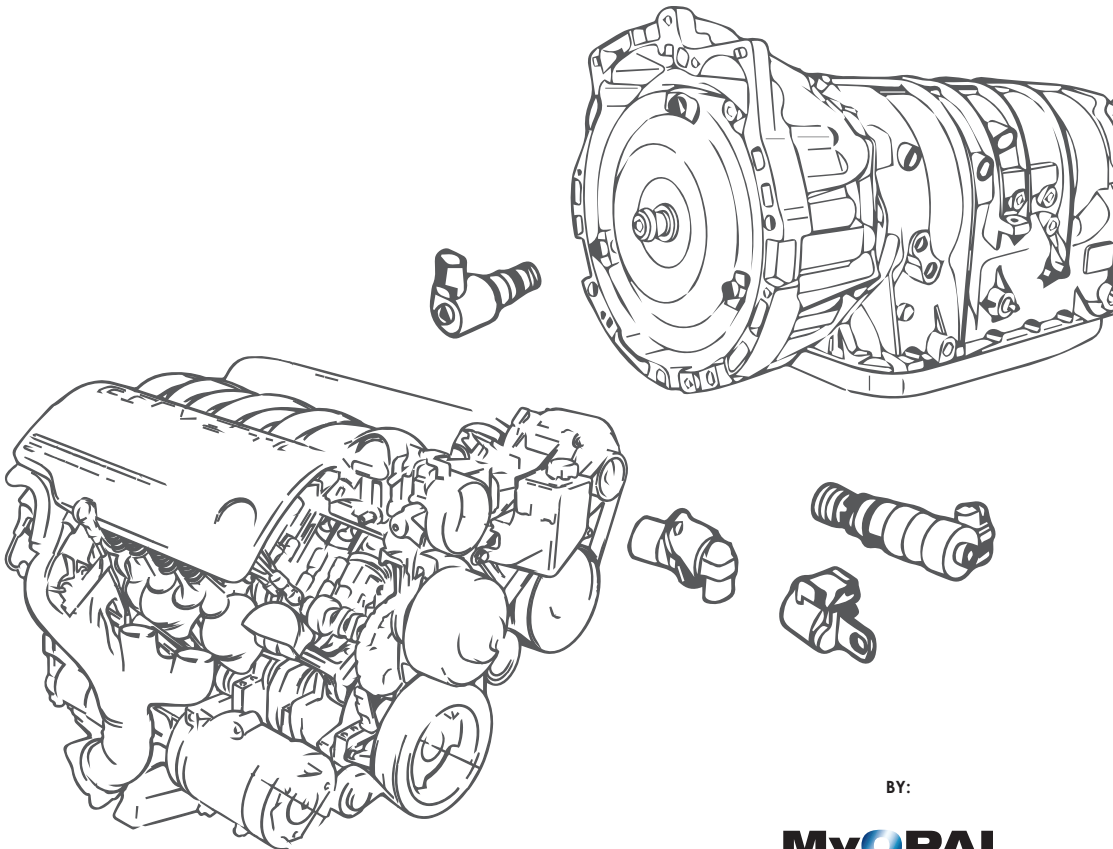




# BASE WARRANTY

## SALES KIT



BY:

**MyOPAL**  
auto coverage

## TERMS & CONDITIONS

## BASE WARRANTY (USED & RE-CONDITIONED CAR)

<b>Vehicle Age</b>	10 years and below
<b>Mileage</b>	200,000km and below
<b>Period of Cover</b>	1 year and unlimited mileage
<b>Claims Limit</b>	RM 5,000 per claim RM 20,000 in total
<b>Service Requirements</b>	<ul style="list-style-type: none"><li>• Must be serviced by Authorised Service Centers</li><li>• Accordance with Time and Kilometer intervals as recommended</li><li>• Service must be duly recorded in the record book</li></ul>
<b>Excess</b>	NIL
<b>Exclusion Period</b>	21 days
<b>Other Conditions</b>	This program has no refundable value and is non-transferable
<b>Renewal Conditions</b>	<ul style="list-style-type: none"><li>• Subject to inspection up to vehicle age limit and/or mileage limit</li><li>• Applicable within 1 month prior to expiry</li><li>• Vehicle must be serviced/maintained by Authorised Service Centers regardless of claims</li></ul>

## CAR MAKES & MODELS

HONDA, TOYOTA, NISSAN, HYUNDAI, KIA

PROTON AND PERODUA

## COVERED COMPONENTS

### ENGINE, TRANSMISSION

*\*For additional parts covered, please visit our website; [www.myopal.com.my](http://www.myopal.com.my)*

For more information, visit  
[myopal.com.my](http://myopal.com.my)